



ADVANCED SHAPECUTTING TECHNOLOGIES
"Cutting Edge Precision."

astwaterjet.com

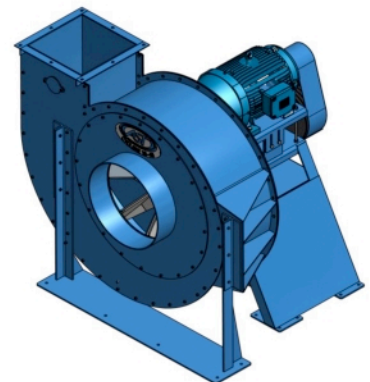
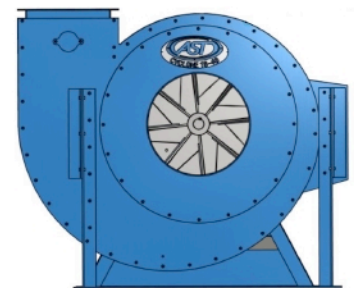
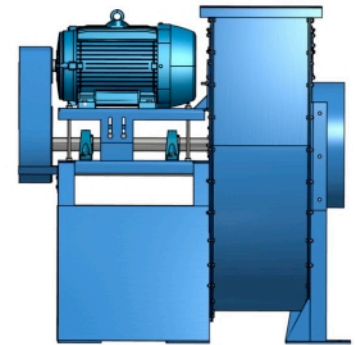
AS9100:2009 REV.C / ISO9001:2008 COMPLIANT COMPANY

Cyclone 18-40 Industrial Fan

Precision 5-Axis Waterjet Cutting

AST Cyclone 18-40 Industrial Blower Fan

- 18"X40" Diameter Blast Wheel w/ 2 7/16" hub.
- Capable of 12—15,000 CFM
- Can option 10 HP—25 HP Baldor Motor, standard
- Optional 4—7 belt Sheave
- High Strength steel frame construction.
- Scroll and Fan blades built from high strength 5/16" T-1 material.
- Unique Bolt together Fan construction is designed for easy replacement of wear components.
- Blast-wheel dynamically balanced to reduce vibration and prolong life.
- Available in other sizes and customizable to fit many different applications and pipe dimensions, right hand or left hand, (left hand shown).



1000 Avenue N, Grand Prairie, TX 75050 (T) 972.554.0383 (F) 972.579.7839